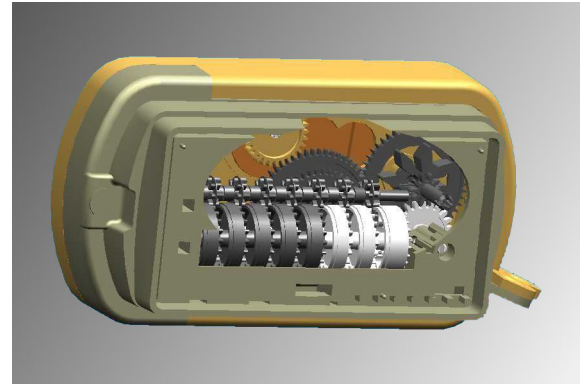


Residential Gas Meter G1,6

Exact measurement and security



Overview

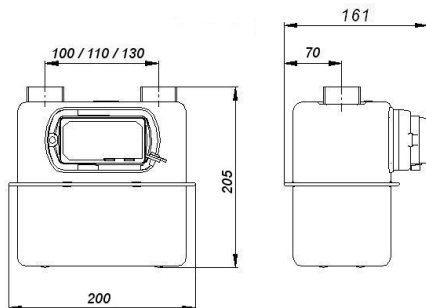
The gas meter UG-G1.6 is designed for measurement of gas supplied to apartments where maximum consumption of gas is equivalent to 2,5 m³/h of air of density of 1,2 kg/m³.

The gas meters can be used for measurement of:

- Natural gas
- City gas
- Propane-butane gas

Gas meter is equipped with pulse magnet as standard. Pulse transmitter can be added at any time (1 imp = 0,01 m³).

Dimensions



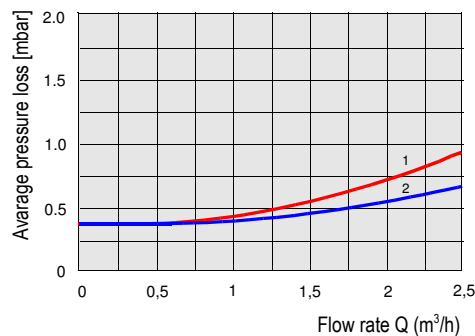
Connections: ISO, BS, other standards



Technical Data

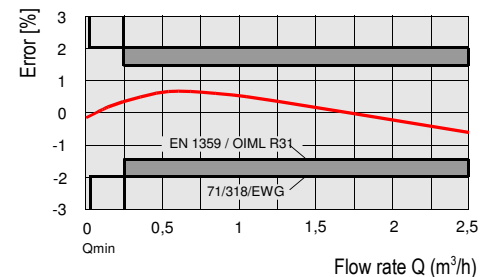
Maximum flow rate:	Q _{max} = 2,5 m ³ /h
Minimum flow rate:	Q _{min} = 0,016 m ³ /h
Nominal flow rate:	Q _n = 1,6 m ³ /h
Cyclic volume:	V = 1,2 dm ³
Max. working pressure:	P _{max} = 0,5 bar
Index max indication	99999,999 m ³
Starting flow rate:	3 dm ³ /h
Weight:	2 kg
Fireproof up to 650°C according to EN1359	up to 0,1 bar

Pressure loss curves



- 1 – air
2 – natural gas

Typical error curves



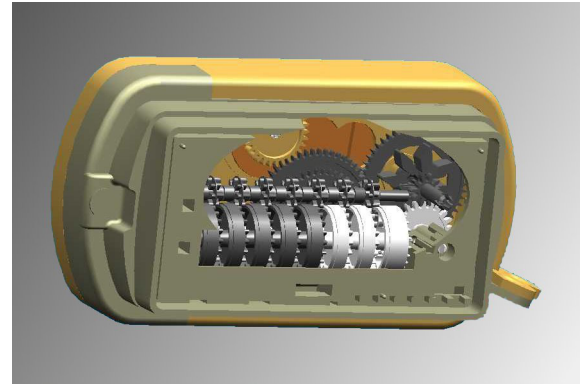
George Wilson Industries Limited
Aldermans Green Industrial Estate
Barlow Road, Coventry, CV2 2LD
United Kingdom

Tel: 0044 2476 709050 Fax: 0044 2476 647970
Email: sales@gwi-ltd.co.uk



Residential Gas Meter G2,5

Exact measurement and security



Overview

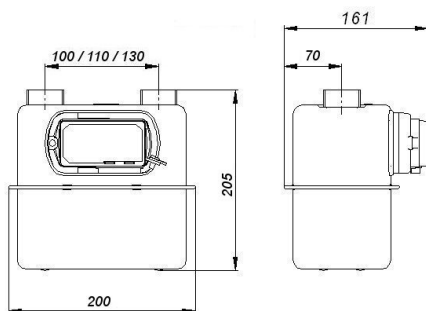
The gas meter UG-G2.5 is designed for measurement of gas supplied to apartments where maximum consumption of gas is equivalent to 4 m³/h of air of density of 1,2 kg/m³.

The gas meters can be used for measurement of:

- Natural gas
- City gas
- Propane-butane gas

Gas meter is equipped with pulse magnet as standard. Pulse transmitter can be added at any time (1 imp = 0,01 m³).

Dimensions



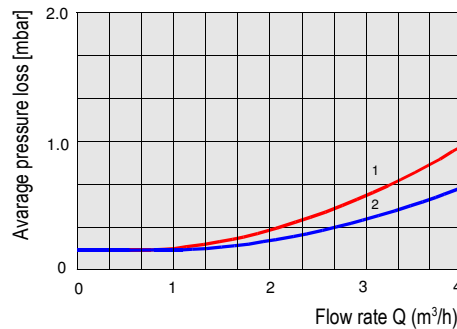
Connections: ISO, BS, other standards



Technical Data

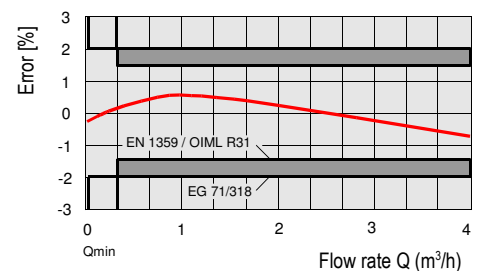
Maximum flow rate:	Q _{max} = 4 m ³ /h
Minimum flow rate:	Q _{min} = 0,025 m ³ /h
Nominal flow rate:	Q _n = 2,5 m ³ /h
Cyclic volume:	V = 1,2 dm ³
Max. working pressure:	P _{max} = 0,5 bar
Index max indication	99999,999 m ³
Starting flow rate:	3 dm ³ /h
Weight:	2 kg
Fireproof up to 650°C according to EN1359	up to 0,1 bar

Pressure loss curves



- 1 – air
2 – natural gas

Typical error curves



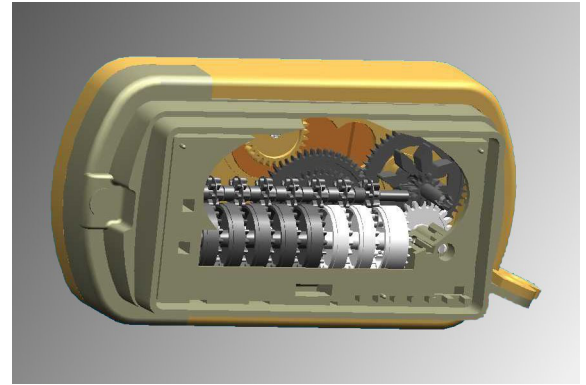
George Wilson Industries Limited
Aldermans Green Industrial Estate
Barlow Road, Coventry, CV2 2LD
United Kingdom

Tel: 0044 2476 709050 Fax: 0044 2476 647970
Email: sales@gwi-ltd.co.uk



Residential Gas Meter G4

Exact measurement and security



Overview

The gas meter UG-G4 is designed for measurement of gas supplied to apartments where maximum consumption of gas is equivalent to 6m³/h of air of density of 1,2 kg/m³.

The gas meters can be used for measurement of:

- Natural gas
- City gas
- Propane-butane gas

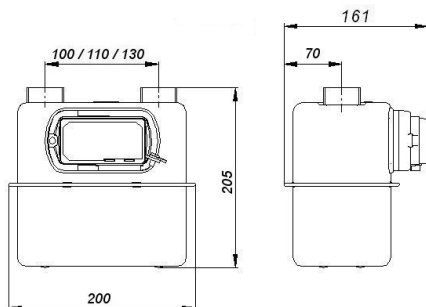
Gas meter is equipped with pulse magnet as standard. Pulse transmitter can be added at any time (1 imp = 0,01 m³).



Technical Data

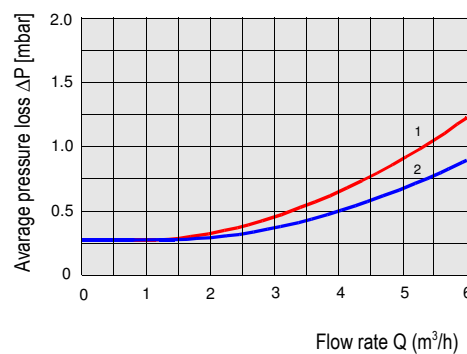
Maximum flow rate:	Q _{max} = 6 m ³ /h
Minimum flow rate:	Q _{min} = 0,04 m ³ /h
Nominal flow rate:	Q _n = 4 m ³ /h
Cyclic volume:	V = 1,2 dm ³
Max. working pressure:	P _{max} = 0,5 bar
Index max indication	99999,999 m ³
Starting flow rate:	5 dm ³ /h
Weight:	~2 kg
Fireproof up to 650°C according to EN1359	up to 0,1 bar

Dimensions



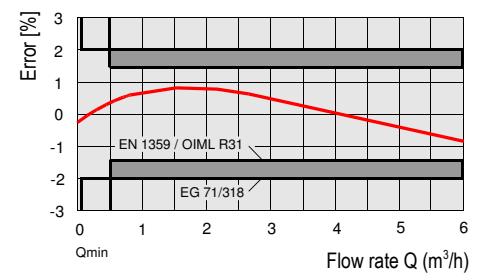
Connections: ISO, BS, other standards

Pressure loss curves



- 1 – air
2 – natural gas

Typical error curves

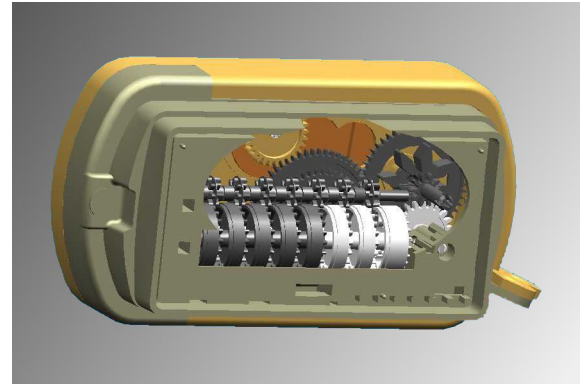


George Wilson Industries Limited
Aldermans Green Industrial Estate
Barlow Road, Coventry, CV2 2LD
United Kingdom
Tel: 0044 2476 709050 Fax: 0044 2476 647970
Email: sales@gwi-ltd.co.uk



Residential Gas Meter G4

Exact measurement and security



Overview

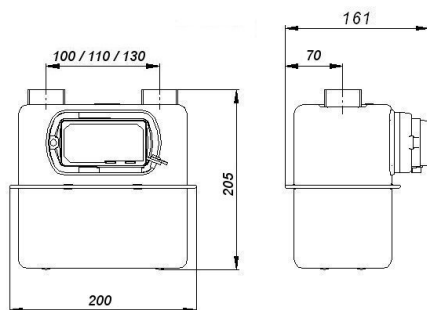
The gas meter UG-G4 multirange is designed for measurement of gas supplied to apartments where maximum consumption of gas is between 0,016 to 6m³/h (equivalent of air of density of 1,2 kg/m³).

The gas meters can be used for measurement of:

- Natural gas
- City gas
- Propane-butane gas

Gas meter is equipped with pulse magnet as standard. Pulse transmitter can be added at any time (1 imp = 0,01 m³).

Dimensions



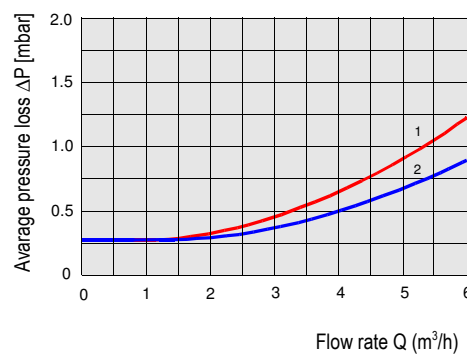
Connections: ISO, BS, other standards



Technical Data

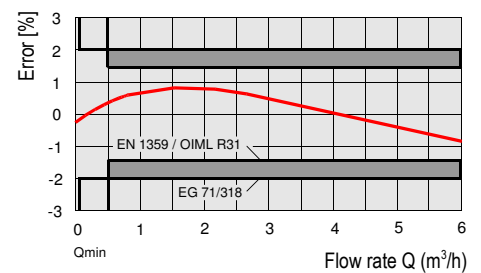
Maximum flow rate:	Q _{max} = 6 m ³ /h
Minimum flow rate:	Q _{min} = 0,016 m ³ /h
Nominal flow rate:	Q _n = 4 m ³ /h
Cyclic volume:	V = 1,2 dm ³
Max. working pressure:	P _{max} = 0,5 bar
Index max indication	99999,999 m ³
Starting flow rate:	5 dm ³ /h
Weight:	~2 kg
Fireproof up to 650°C according to EN1359	up to 0,1 bar

Pressure loss curves



- 1 – air
2 – natural gas

Typical error curves



George Wilson Industries Limited
Aldermans Green Industrial Estate
Barlow Road, Coventry, CV2 2LD
United Kingdom
Tel: 0044 2476 709050 Fax: 0044 2476 647970
Email: sales@gwi-ltd.co.uk

